



VoIP Optimization

v 1.6

Who We Are

XRoads Networks



Founded in 2001, XRoads is the inventor of MultiWAN dynamic bandwidth management and session-based Internet bonding.

- The ZeroOutages service by XRoads Networks improves VoIP connectivity and ensures uptime for Internet phone services.
- XRoads Networks has over 3000 customers using our solutions for greater performance and redundancy.
- XRoads Networks holds several patents and pending patents in the field of MultiWAN network optimization.



Service Benefits



VoIP Reliability: Ensure 24/7 reliability for VoIP phone applications. Failover and failback automatically during network outages.

VoIP Prioritization: Dramatically throttle YouTube and other applications to guarantee bandwidth for phone services.



Bandwidth Scalability: Utilize multiple Internet links to expand available bandwidth and carve out bandwidth for VoIP.

Competitive Advantages

Our unique MultiWAN solutions include features not found within other solutions:

- **MultiWAN deep path inspection is superior to other failover solutions.**
- **MultiWAN dynamic throttling, application offloading and VoIP quality of service.**
- **MultiWAN scalability using our patented Internet link bonding.**



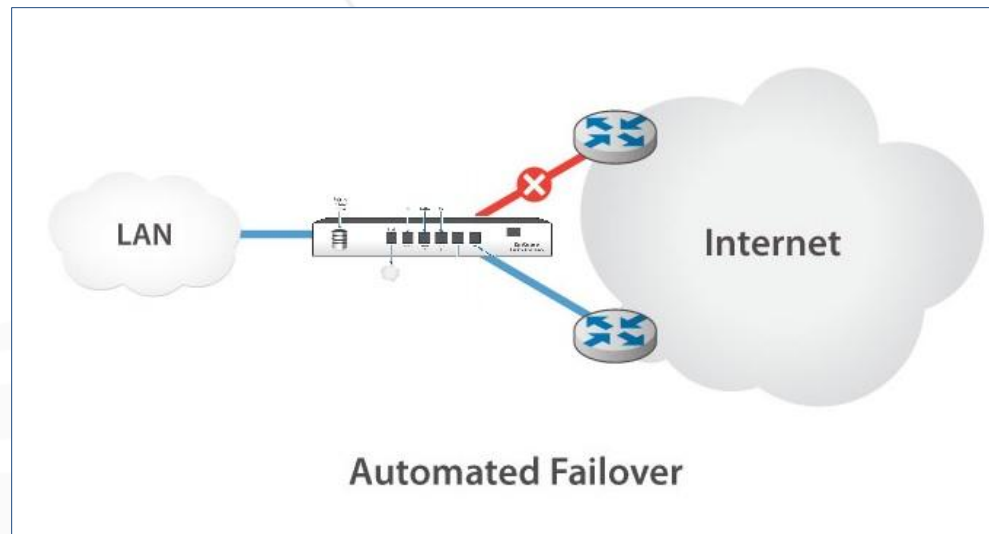
Guaranteed VoIP Bandwidth

ZeroOutages leverages our unique **MultiWAN Dynamic Bandwidth Management** technology to automatically shape traffic and guarantee bandwidth for VoIP calls.

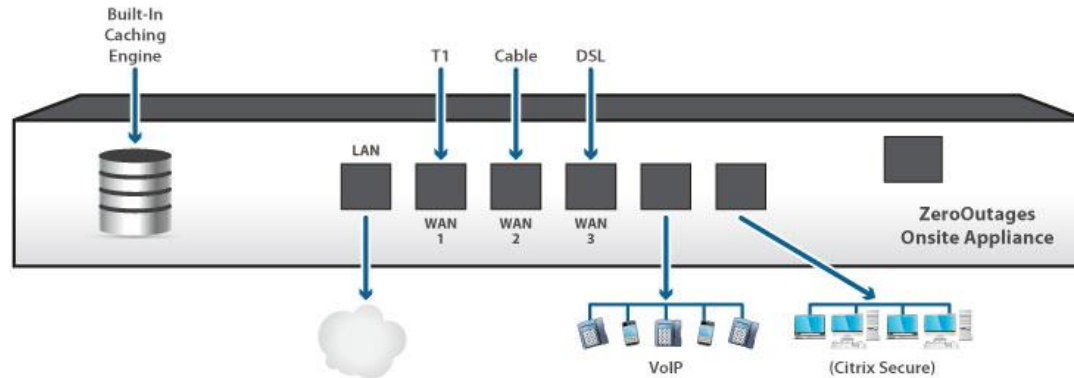


Instant VoIP Failover

ZeroOutages will ensure automated redundancy in the event of an ISP outage. In the event of a network outage the phones will automatically be redirected over a secondary link. ZeroOutages can be configured to handle up to five different service providers.



ZeroOutages Platforms



Each ZeroOutages service is deployed with one of our enterprise class fully managed UBM platforms.

The UBM platform incorporates our MultiWAN network optimization technology, including: Automated network failover, dynamic VoIP QoS, scalable Internet bonding, and SLA network reporting.

Web-Based Monitoring

ZeroOutages offers customer the ability to quickly see how each of their service providers is performing and alert them during periods of high jitter via our **ZOOM** global management portal.

The screenshot displays the XRoads Networks web-based monitoring dashboard. The interface features a dark blue header with the company name and navigation tabs for DASHBOARD, DEVICES, REPORTING, GROUPS, TEMPLATES, and USERS. The main content area is divided into several sections:

- STATUS:** A list of alerts for devices, including "Outage Alert for device 03321812483 WAN2" and "Configuration Modification Notice WAN2-2322489".
- SENT IN ALERTS / NOTIFICATIONS:** A table of recent alerts with columns for time and description. The table contains five entries:

Time	Description
Thu Nov 28 20:22:48 2014	Notice: System will be down for 3 hours.
Fri Nov 28 20:06:22 2014	Outage WAN2 Detected
Fri Nov 28 19:24:38 2014	System Reboot Complete
Fri Nov 28 17:23:23 2014	IP Pool used up
Fri Nov 28 14:49:38 2014	Forward Error Correction And retransmission Not available for transmission
- DEVICES:** A map showing the geographical distribution of devices across various regions, including Washington, Montana, North Dakota, Wisconsin, Illinois, and New York.

Why ZeroOutages?

ZeroOutages optimizes existing VoIP services by shaping the “LAN” bandwidth, this prevents other users on the local network from generating large amounts of data which can typically degrade VoIP calls.

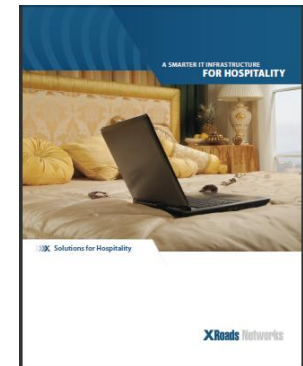
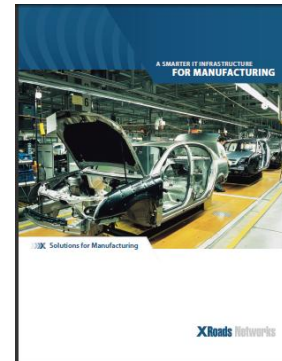
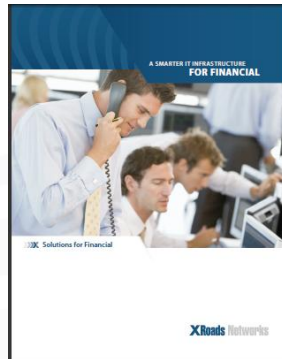
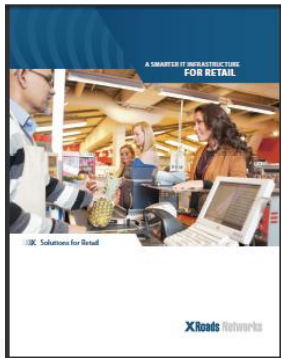


“You’ve updated the phones, now optimize your network.”

Guarantee bandwidth for VoIP and throttle non-critical applications like YouTube, Facebook and other applications which can cause jitter and reduce the quality of voice calls.

ZeroOutages Support

ZeroOutages has deployed solutions for Retail, Manufacturing, Hospitality and Financial / Government institutions which ensure 99.999% uptime and alerts our customers in the event of an outage. Be proactive, make sure your network connections work 24/7.





Contact your ZeroOutages representative or
visit our website
<http://www.zerooutages.com>
for more information or to begin an evaluation.