



Office to Data Center Deployment

v 1.4

Office to Data Center (ODC)

As organizations move their critical applications to the cloud, they are finding the need for fast, secure, and reliable connectivity to the cloud, and specifically to the data center providers to which they have deployed their critical applications.

ZeroOutages has partnered with, and deployed our technology in, a number of popular and well known data center providers in order to reduce the cost and time to deploy.



EQUINIX

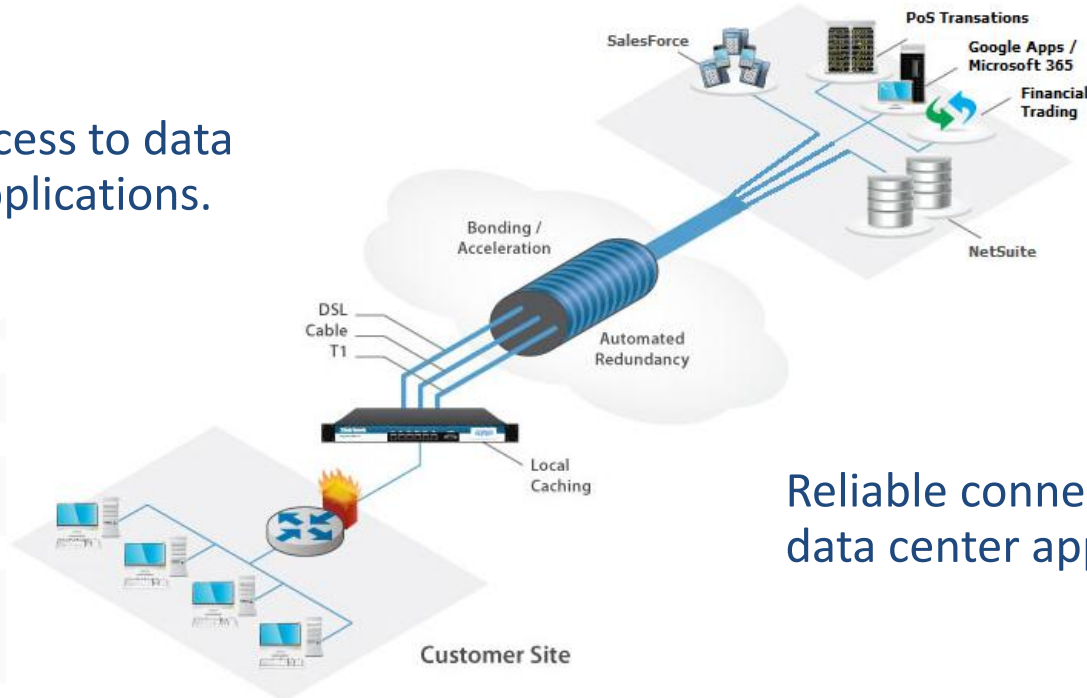


How It Works

ZeroOutages ODC Leverages Our SD-WAN Technology

Our OnSite appliance configures tunnels between the customers site and our data center partners utilizing each of the customers WAN connections. The tunnels enable aggregated bandwidth and automated failover.

Faster access to data center applications.

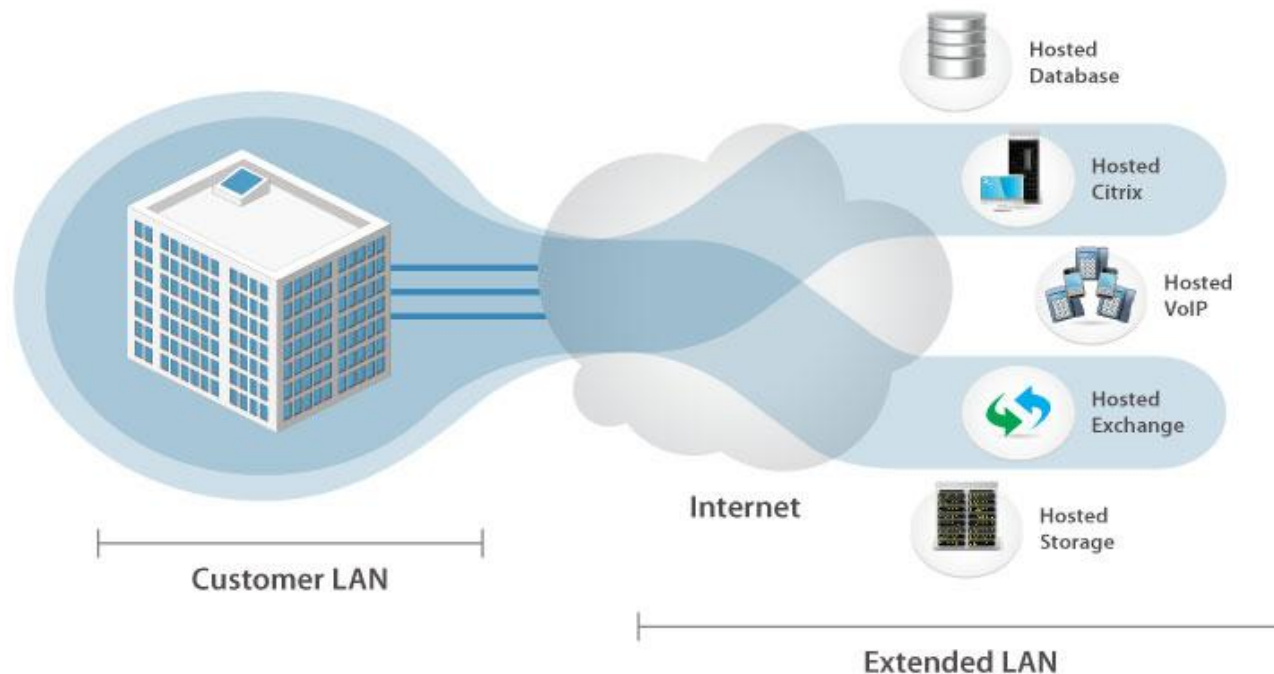


Reliable connectivity to data center applications.

Extended LAN Connectivity

ZeroOutages ODC Services Improve Security

With ODC our customers are able to realize private “LAN like” connectivity to their data center applications with built-in redundancy and integrated AES and 3DES encryption.



ODC Features

Key benefits of ODC Solutions:

Instant and Automated Redundancy: ZeroOutages ensures 24/7 uptime between the office and data center by failing over between all available network paths.

Faster and More Scalable Bandwidth: ZeroOutages can utilize the bandwidth of each Internet and dedicated private line or MPLS connection to the data center.

Improved Security and Backend Access: ZeroOutages virtualized tunnels can increase security by adding AES or 3DES encryption to data center traffic.



Problems with Existing Solutions

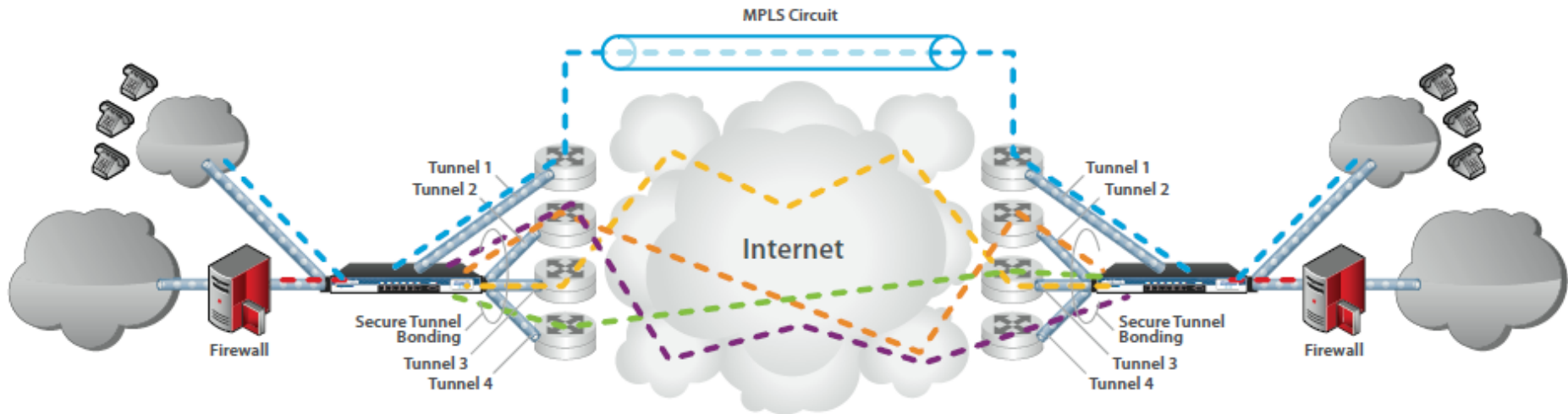
Data Center VPN Connections: Some data center customers utilize an IPSec VPN or single dedicated link. The problem with this solution is that they provide no redundancy and no ability to easily scale the bandwidth. If the circuit they are using to connect to the data center fails, the customer is hard down.



We have had customers that would have suffered days of downtime, but with our service, saw ZERO downtime.

Implement w/Existing Private Line

Data Center Private Link Services: Many enterprise customers typically setup a dedicated link for their data center connectivity. ZeroOutages allows customers to utilize their Internet link as a backup to existing dedicated or MPLS circuits.



Trusted by Fortune 500 Companies

ZeroOutages has been deployed across a wide array of business and network environments, for both Fortune 500 as well as small to medium sized organizations for over 10 years in over 50 countries.



Branch Office Firewall

ZeroOutages OnSite appliances incorporate packet-level network protection and security.

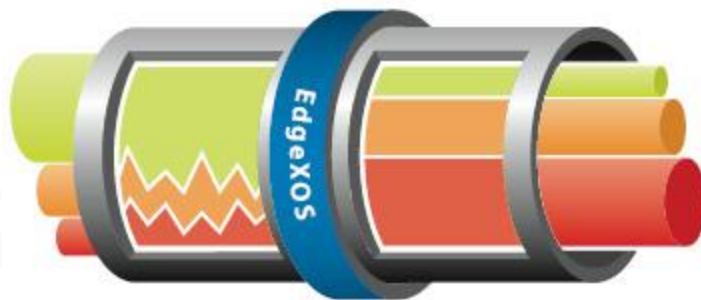


The Internet is full of threats.

- Built-in Intrusion Prevention Services with daily updates provided through ProofPoint.
- Built-in category-based content filtering with real-time URL lookups for any network connectivity.
- Built-in packet level security with hundreds of pre-defined application signatures.

End-to-End Shaping

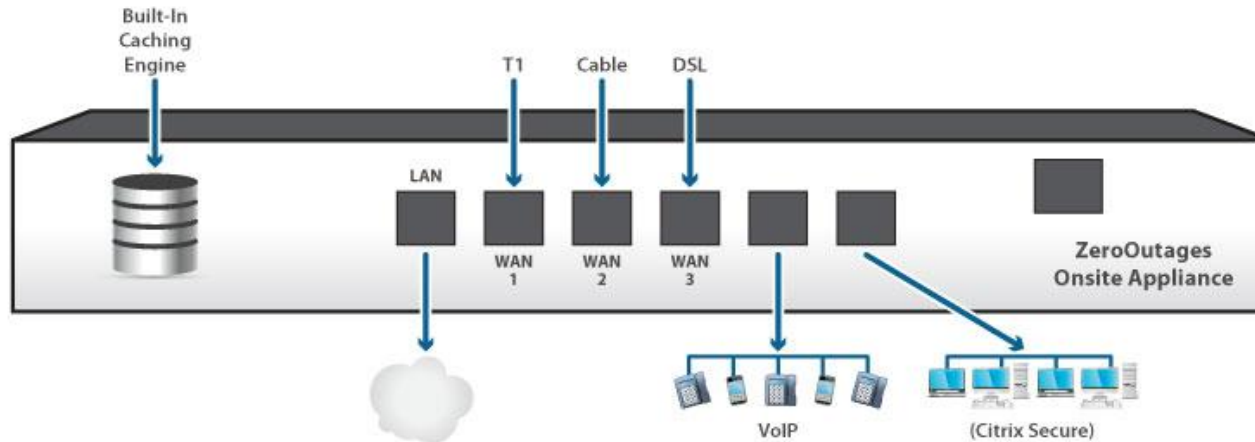
- **Dynamic Application Shaping** monitors session flows in real-time and throttles top abusers automatically to prevent any one user from abusing site-to-site bandwidth.
- **Dynamic Policy-Based Shaping** can then guarantee bandwidth for data center applications like Citrix and remote desktop (RDP) without slowing down other traffic when more bandwidth is available.



- Recreational
- E-mail, FTP, etc.
- Critical Applications



ZeroOutages Platforms

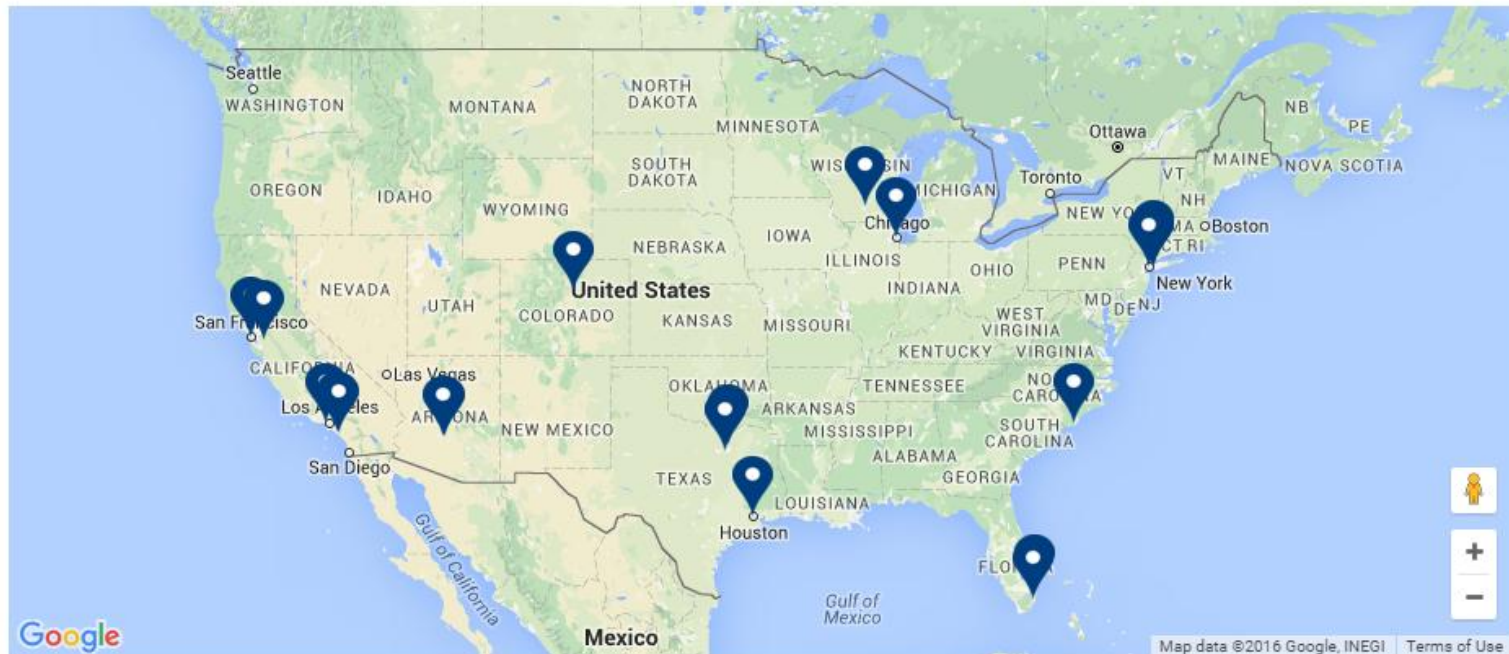


ZeroOutages onsite devices are designed to improve performance and redundancy to the data center across multiple WAN links.

The features offered via the ZeroOutages appliance include: ODC Tunneling, Dynamic QoS /Traffic Shaping, Deep Path Inspection, Instant Internet Failover, Internet Bonding, Internet Caching, Best Path Routing, Real-Time Network Reporting, and Secure WAN Firewall.

ZeroOutages 24/7 Reporting

ZeroOutages' enables customers to see exactly how their ODC tunnels are performing via our ZOOM portal, which constantly tests the tunnels and alerts upon the detection of potential network issues.



Customer Identification

If you have customers that are using any of the services below, they should be looking at a [ZeroOutages ODC](#) solution to help improve performance and reliability for their critical data center applications.





Contact your ZeroOutages representative or
visit our website
<http://www.zerooutages.com>
for more information or to begin an evaluation.